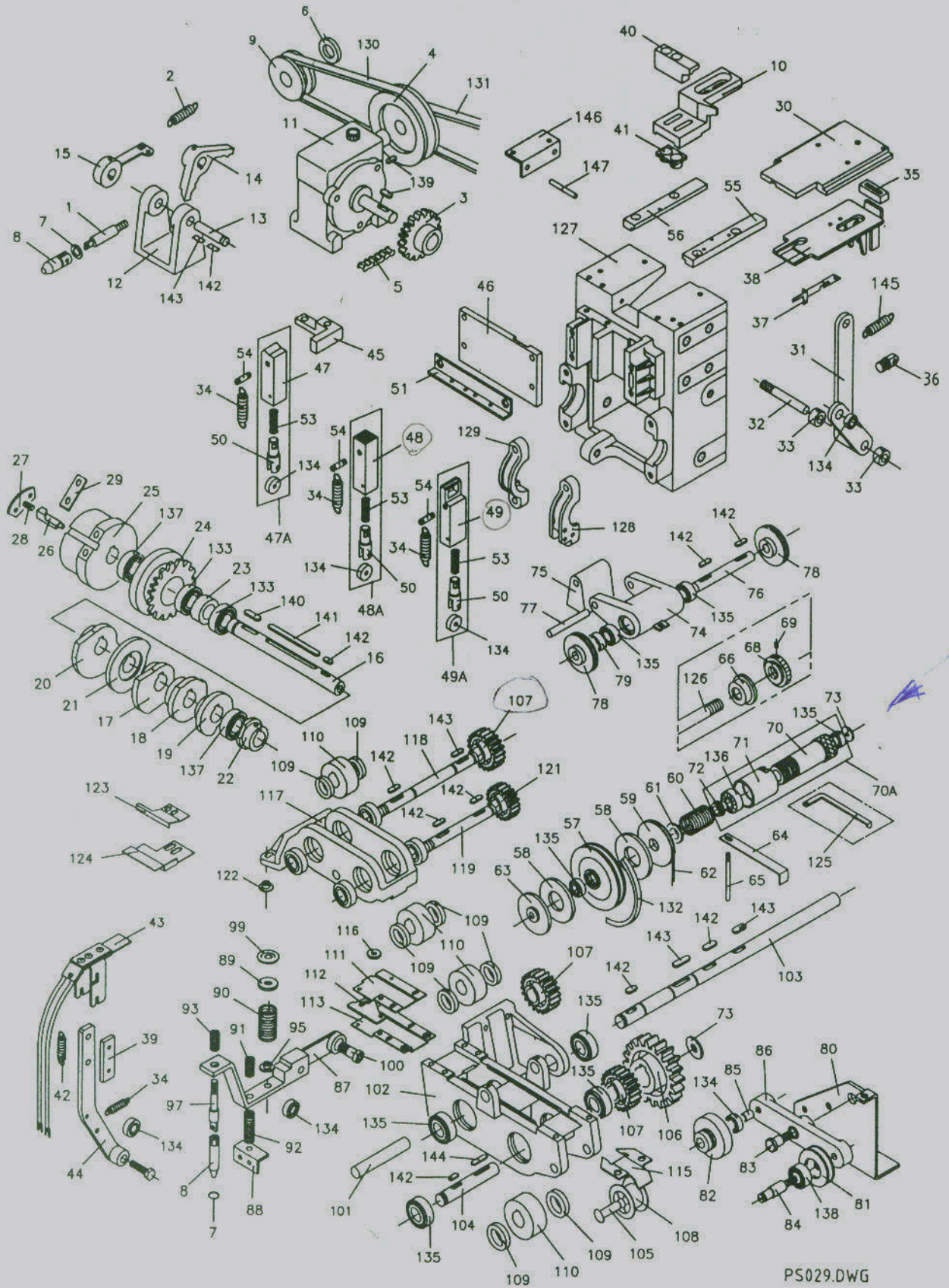
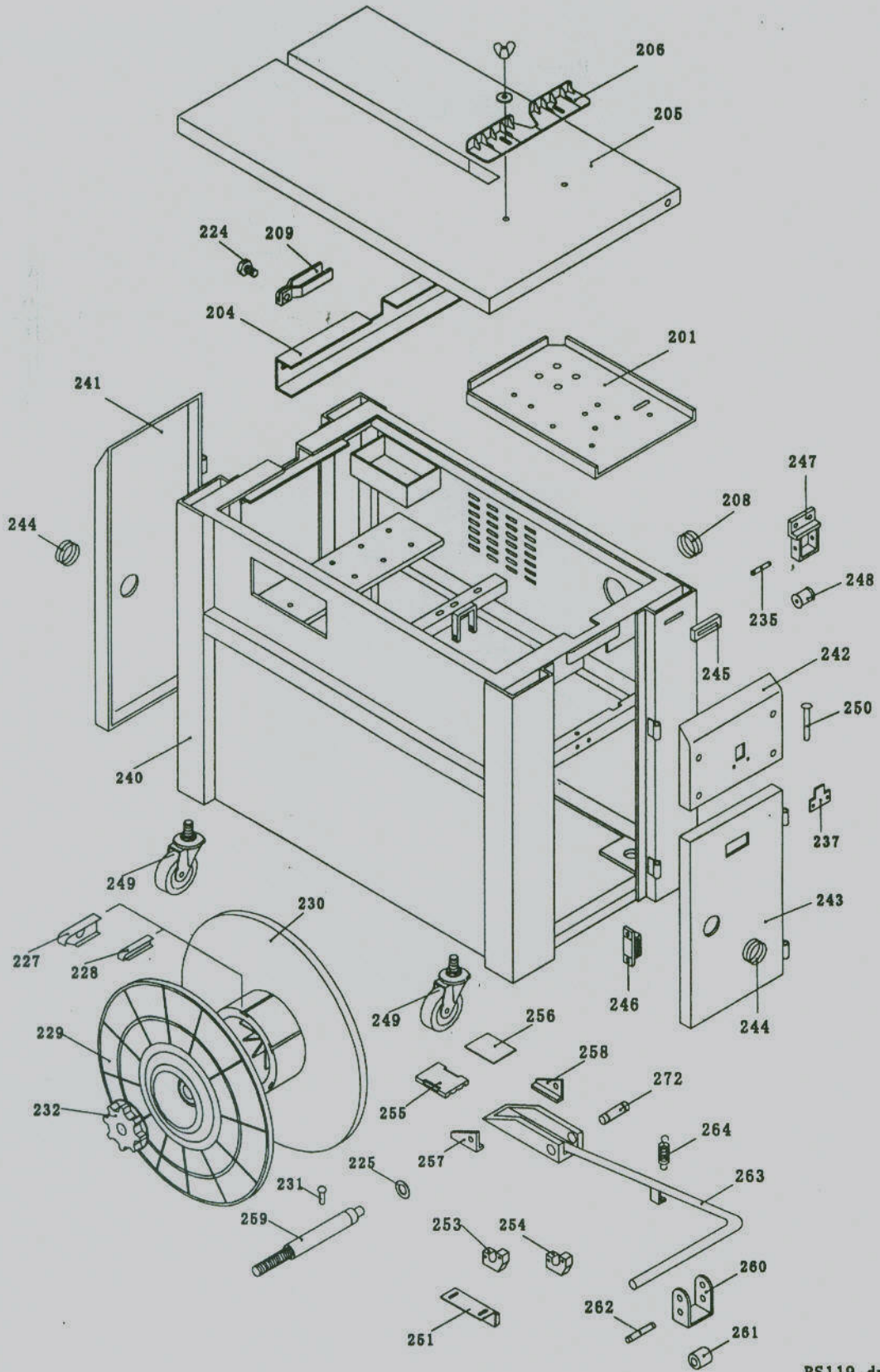


# Control unit

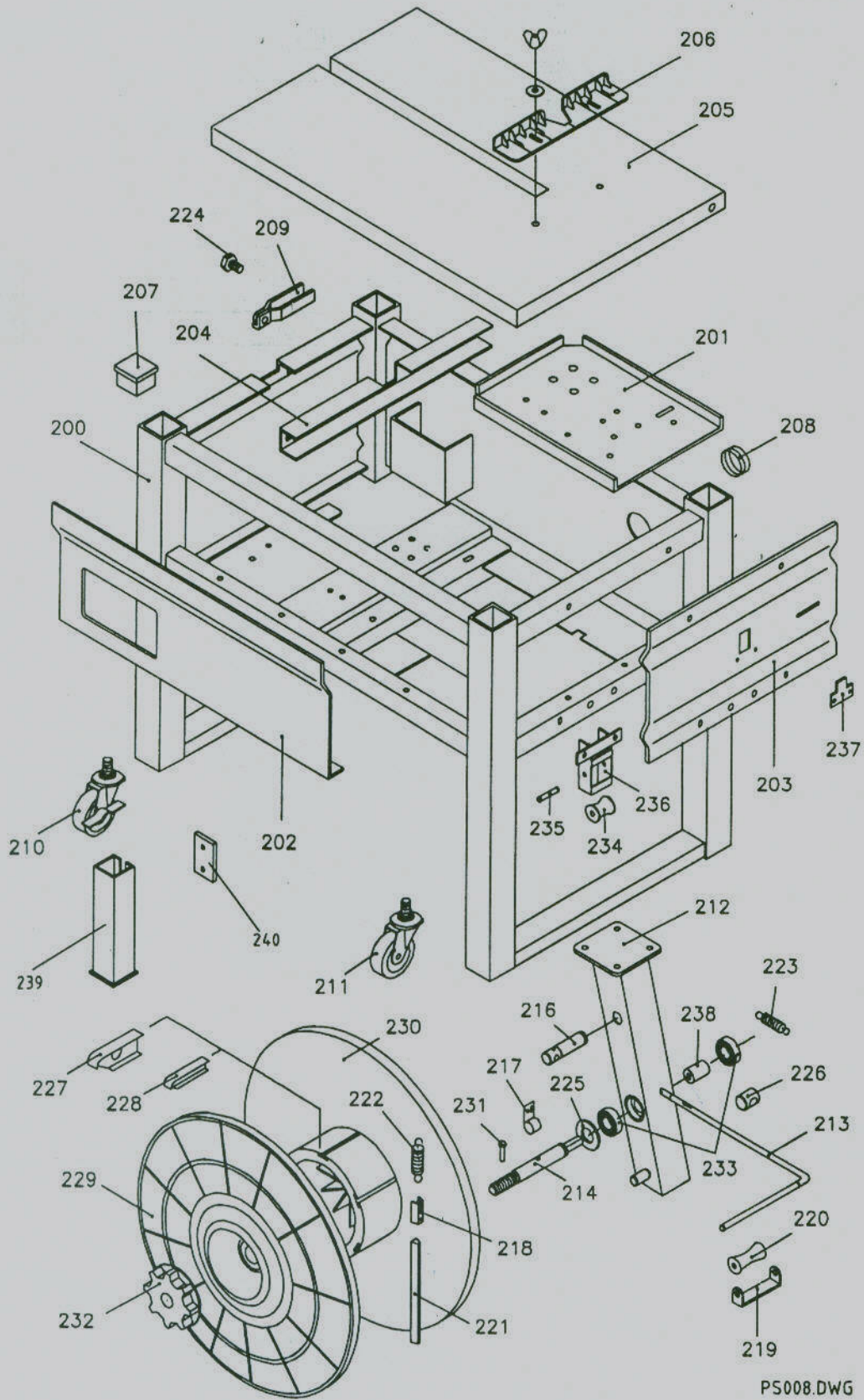


Frame & reel unit—ES-101



PS119.dwg

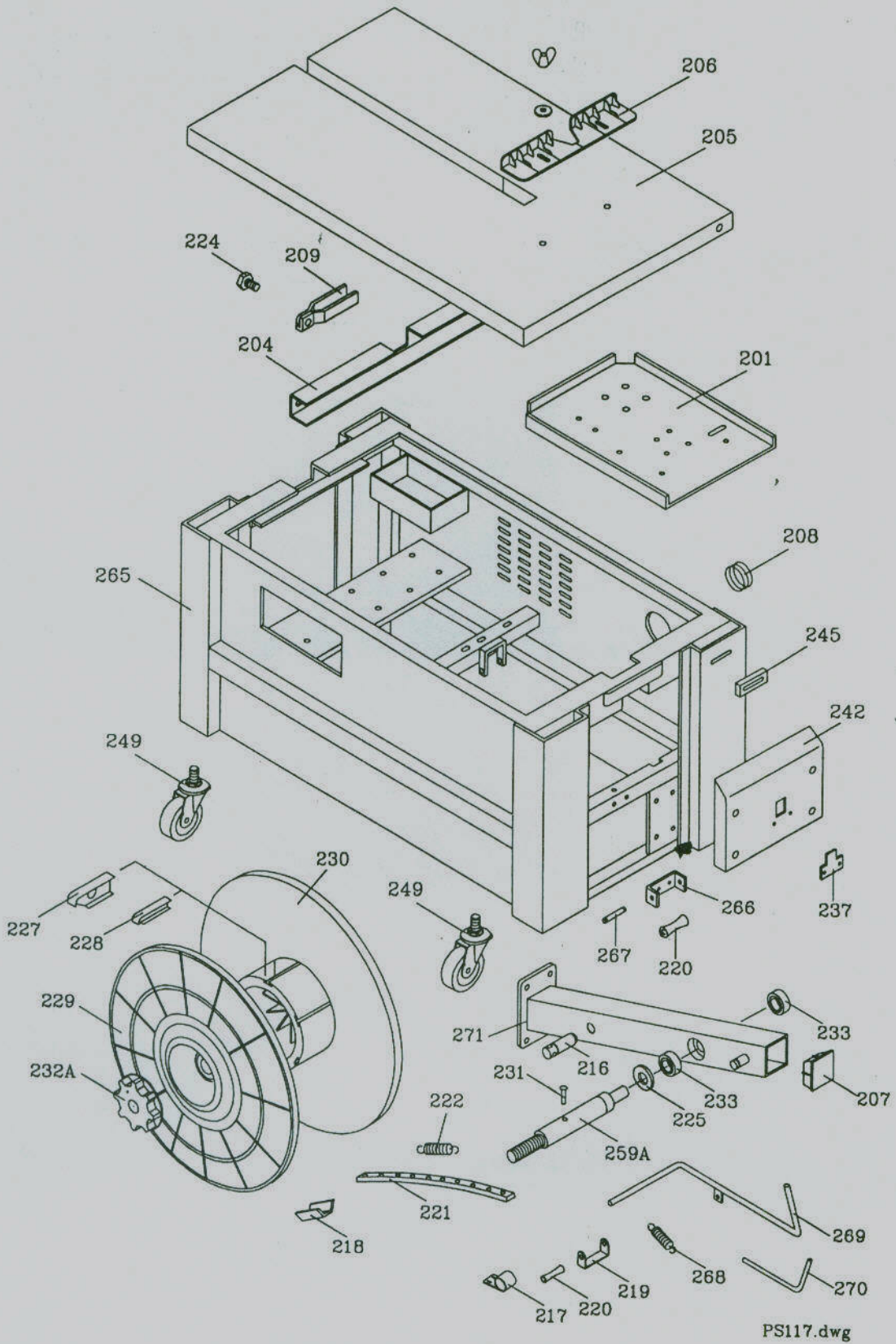
Frame & reel unit—ES-102/A



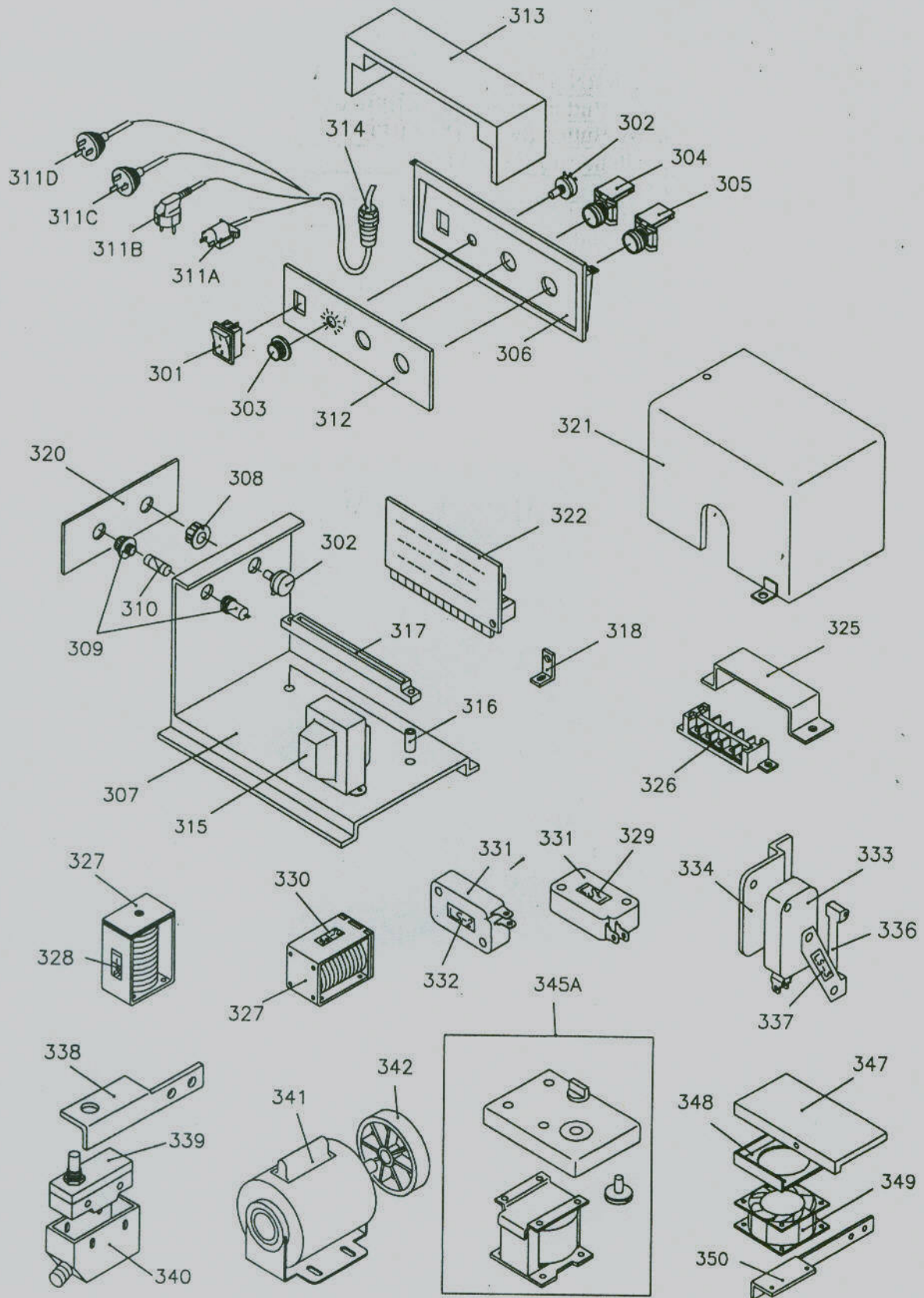
PS008.DWG

Frame & reel unit—ES-101L

ES101L



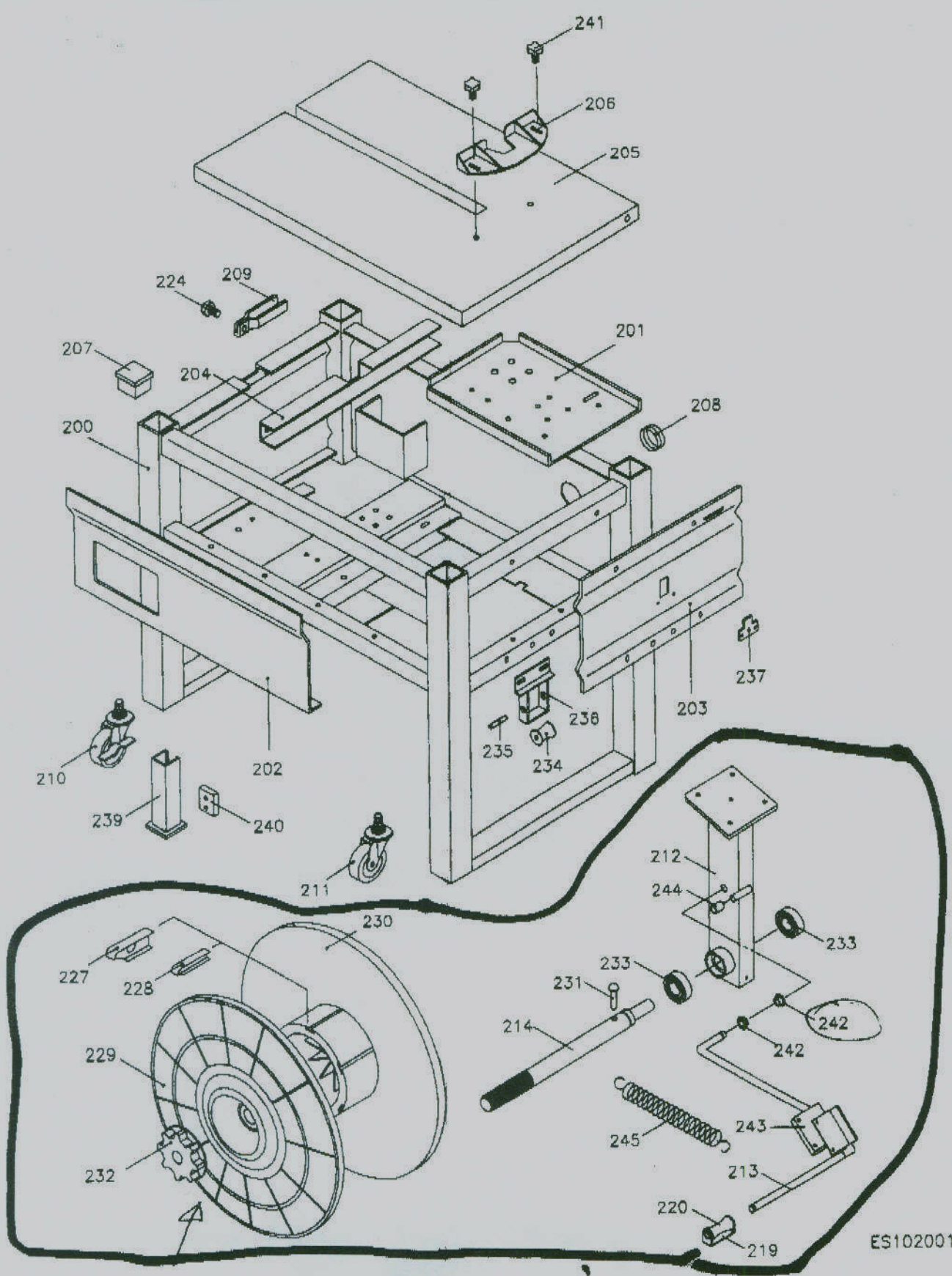
# Electric control unit



PS028.DWG

977-584-398

# Frame & reel unit—ES-102/A



ES102001